

RFI/EMI Shielding "V" Series

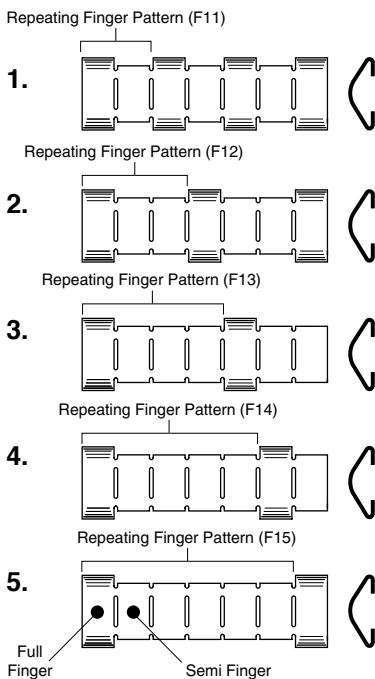
VARIABLE SNAP-ON GASKETS

- Snap into slots
- For gaps as small as 0.5mm
- Fewer slots improve shielding effectiveness
- Easy and secure installation
- Ideal for bidirectional applications
- 100db attenuation
- 3 standard profiles with 5 slot patterns
- Low compression force
- High durability
- In stock for immediate delivery



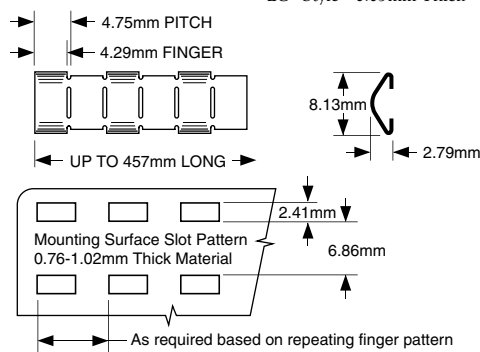
MOUNTING SLOT PATTERNS

"V" Series Snap-on gaskets are offered in three standard profiles, each with the five variable finger (or slot) patterns shown below.* Strips may be supplied to any full- or semi-finger increment.



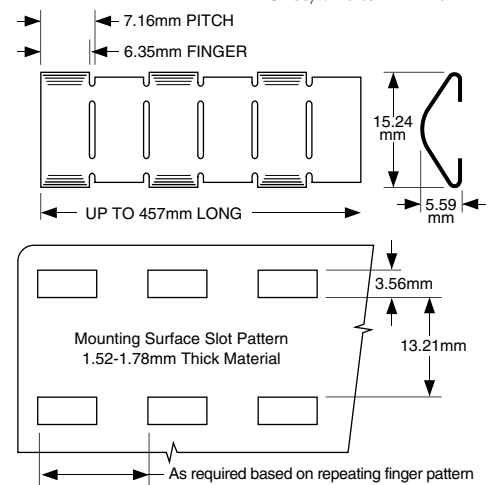
ECP612VFXx (Shown with pattern F11)

Standard 0.09mm Thick
"LC" Style 0.05mm Thick



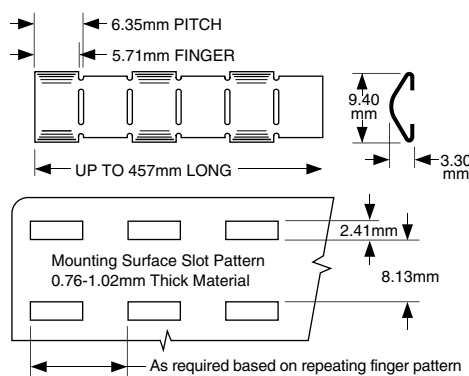
ECP614VFXx (Shown with pattern F11)

Standard 0.09mm Thick
"LC" Style 0.05mm Thick



ECP613VFXx (Shown with pattern F11)

Standard 0.05mm Thick



SALES 01706 647718

